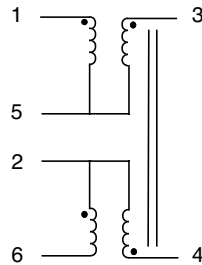


- Surface-mount, 3 port equal-ratio hybrid transformer •

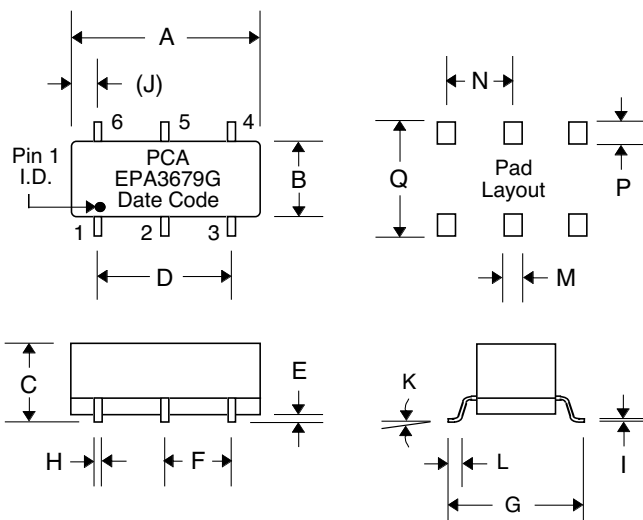
Electrical Parameters @ 25° C

Bandwidth (MHz @ -3 dB)	Pulse Rise time (nS Typ.)	Impedance	Nominal Signal Split (dB)
0.02 -200	2	75 Ω : 75 Ω + 75 Ω	3
		(1-6) : (3-6) + (4-6)	(1-6) to (3-6) , (1-6) to (4-6)

Schematic



Package



Dimensions

Dim.	(Inches)			(Millimeters)		
	Min.	Max.	Nom.	Min.	Max.	Nom.
A	.650	.670	.660	16.51	17.01	16.76
B	.280	.300	.290	7.11	7.62	7.37
C	.370	.390	.380	9.40	9.90	9.65
D	---	---	.536	---	---	13.61
E	.010	.015	.013	.254	.381	.330
F	---	---	.268	---	---	6.80
G	.380	.400	.390	9.65	10.16	9.90
H	.018	.022	.020	.457	.556	.508
I	.008	.012	.010	.203	.305	.254
J	---	---	.062	---	---	1.57
K	0°	8°	4°	0°	8°	4°
L	.025	.045	.035	.635	1.14	.889
M	---	---	.090	---	---	2.29
N	---	---	.268	---	---	6.80
P	---	---	.140	---	---	3.55
Q	---	---	.440	---	---	11.18